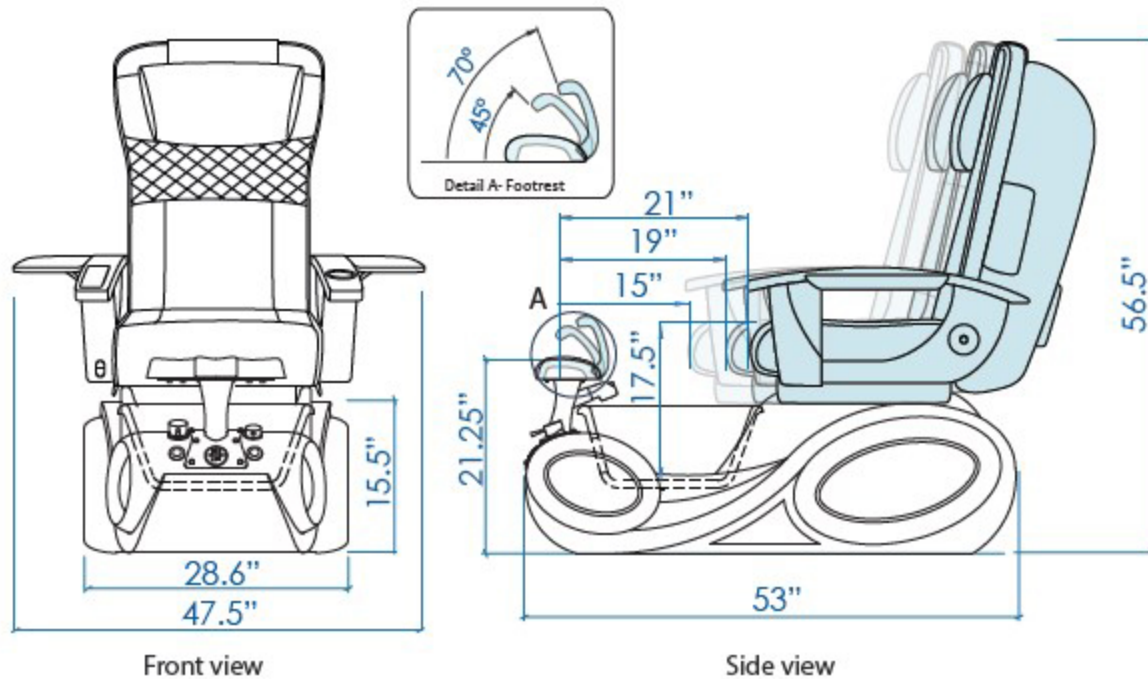


**ANS REGIS**  
PEDISPA

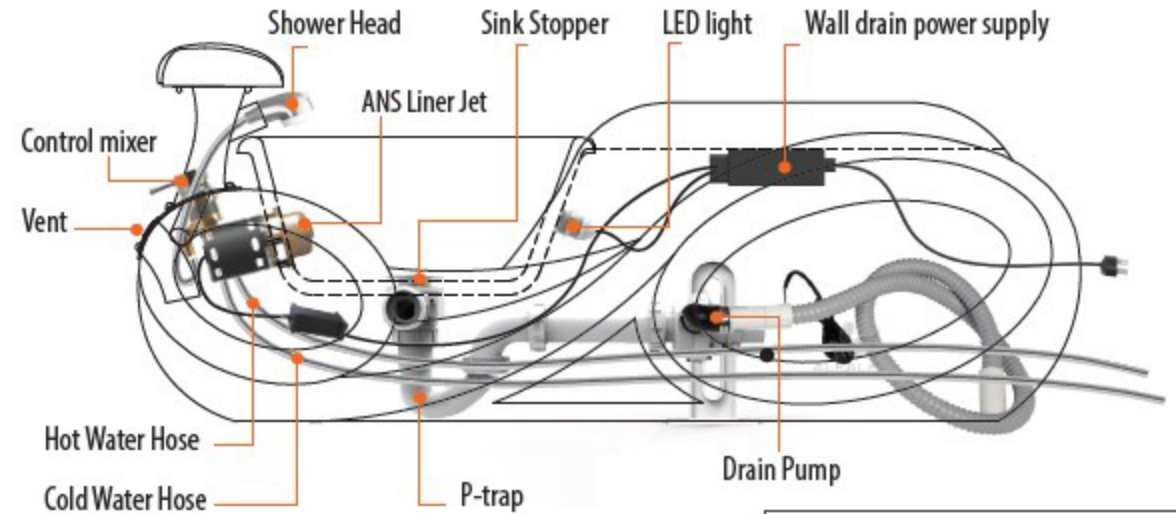


Weight capacity: 300lbs

Sink Bowl Capacity: 4.5 U.S. gallon (17.03L)



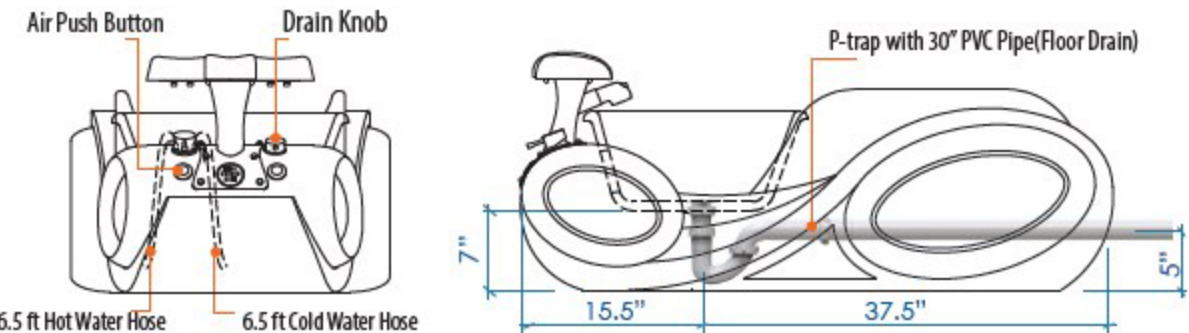
## PARTS IDENTIFICATION



**NOTES:**  
 POWER SOURCE: 110V AC/15 AMP 60 HZ (GFI PROTECTED)  
 CONFORMS TO  
 UL STD 1795 AND UL STD 73  
 CERTIFIED TO CSA C 22.2 NO. 218.1  
 AND CAN/CSA C 22.2 NO. 68

E427221

Note: The wall drain system is shown in the above diagram



**Wall Drain:** Flex drain pipe extended 2ft from the back of the basin  
**Floor Drain:** Drain pipe & bushing extended 3" from the back of the basin



1-5/16" discharge hose after pump with 1-1/2" bushing  
 Drain pump - 120V AC, 85W, 60Hz, 1 Amp



Drain Pipe - 1-1/2" PVC extendable ~5" above floor