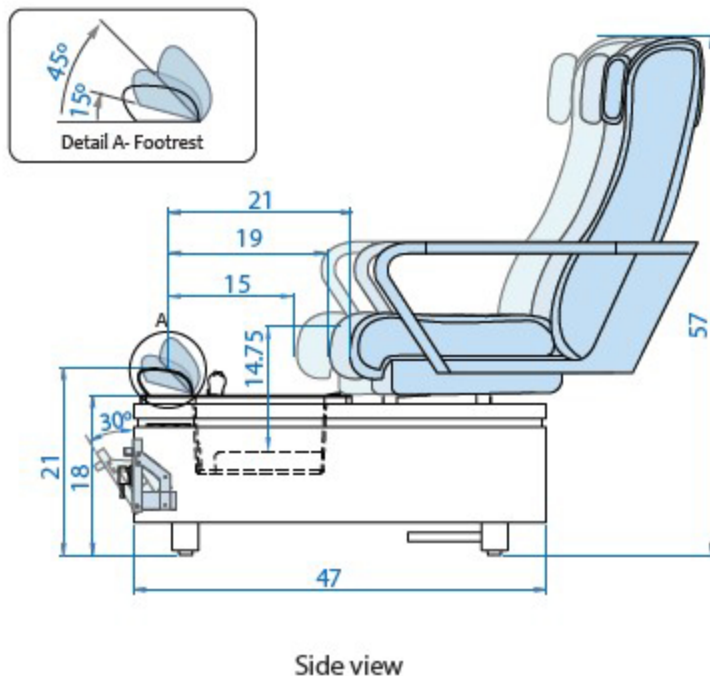
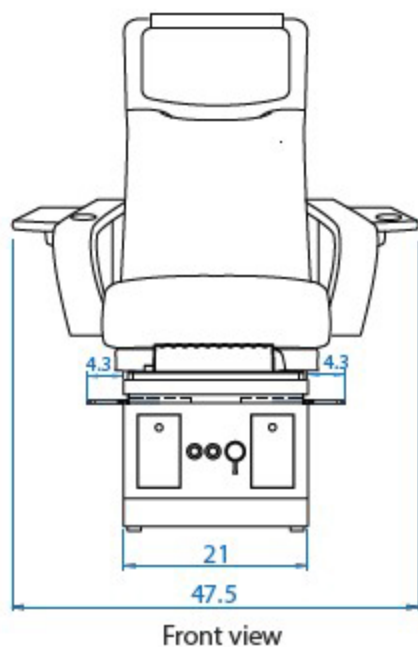


ANS
KATAI II
PEDISPA

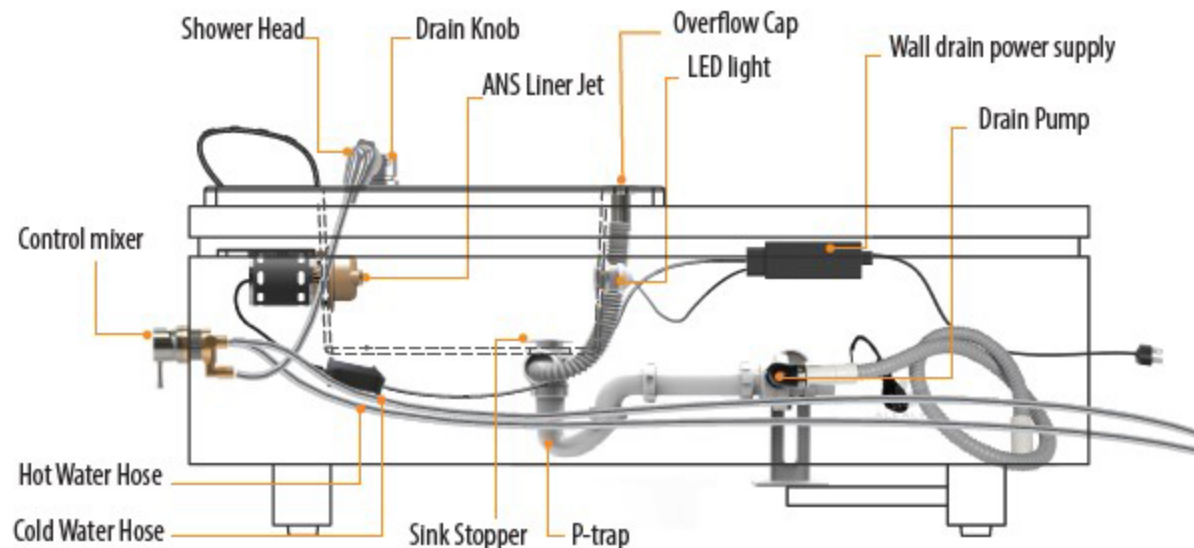


Package weight: 131 lbs.
Tub w/ floor installation: 119 lbs.
Sink Bowl Capacity: 4.5 U.S. gallon (17.03L)

Weight capacity: 300lbs



PARTS IDENTIFICATION

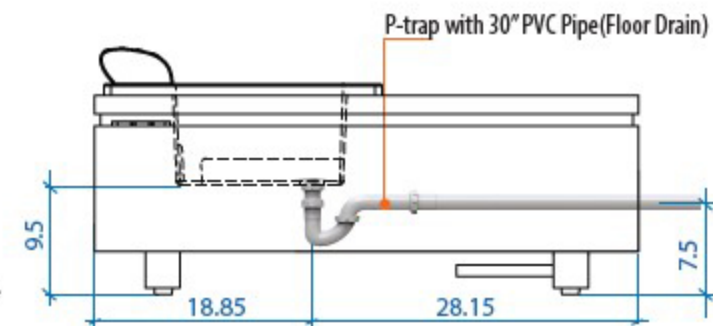
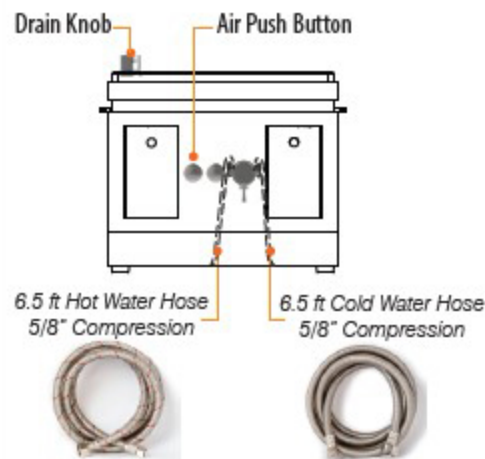


NOTES:

POWER SOURCE: 110V AC/15 AMP 60 HZ (GFI PROTECTED)
CONFORMS TO
UL STD 1795 AND UL STD 73
CERTIFIED TO CSA C 22.2 NO. 218.1
AND CAN/CSA C 22.2 NO. 68

LISTED
E427221

*Note: The wall drain system is shown in the above diagram



Wall Drain: Flex drain pipe extended 2ft from the back of the basin
Floor Drain: Drain pipe & bushing extended 3\"/>

Wall Drain



1-5/16\"/>

Floor Drain



Drain Pipe -1-1/2 PVC extendable ~5\"/>