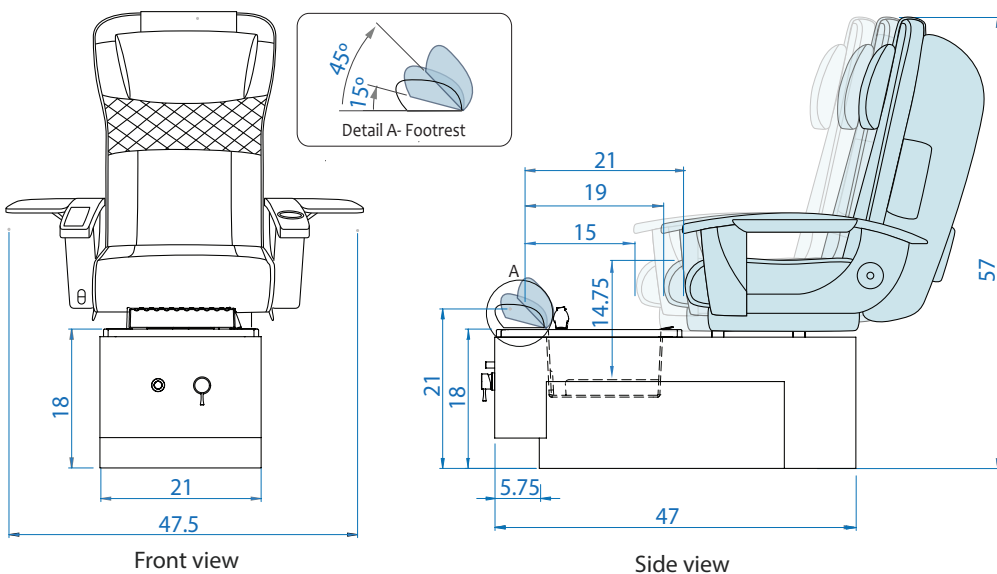


ANS  
**ION I**  
PEDISPA

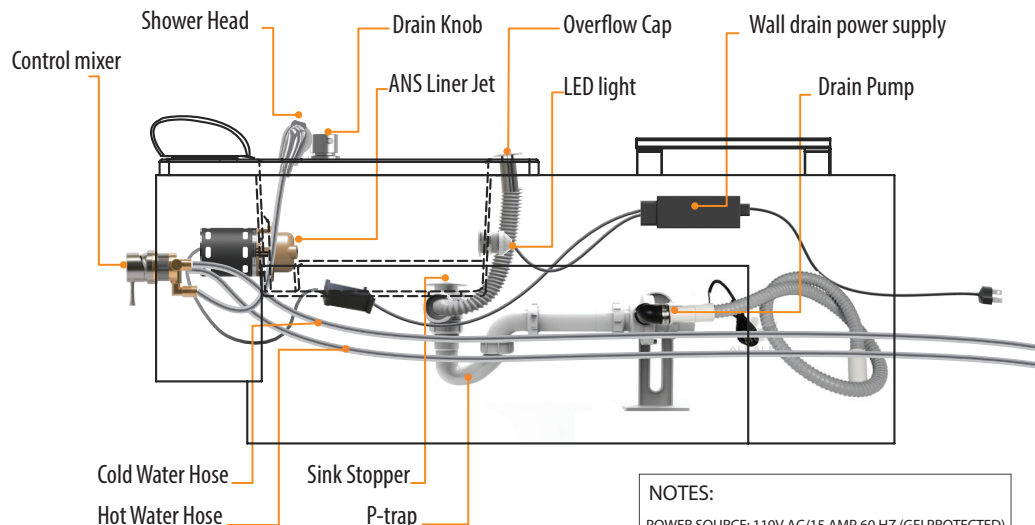


Package weight: 150 lbs.  
Tub w/ floor installation: 138 lbs.  
Sink Bowl Capacity: 4.5 U.S. gallon (17.03L)

Weight capacity: 300lbs



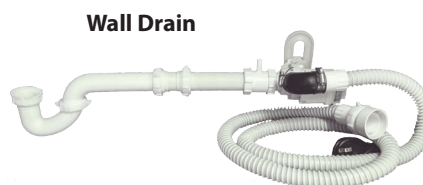
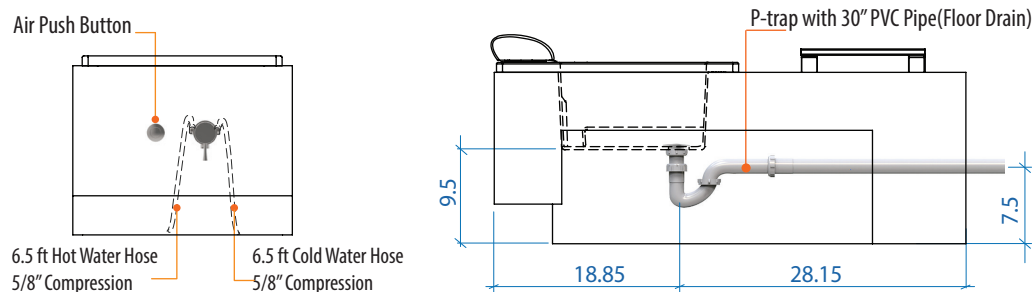
## PARTS IDENTIFICATION



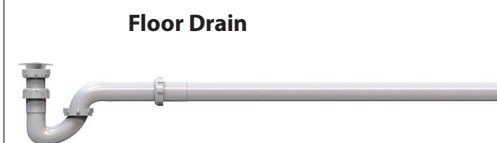
NOTES:  
 POWER SOURCE: 110V AC/15 AMP 60 HZ (GFI PROTECTED)  
 CONFORMS TO  
 UL STD 1795 AND UL STD 73  
 CERTIFIED TO CSA C 22.2 NO. 218.1  
 AND CAN/CSA C 22.2 NO. 68

E4277221

\* Note: The wall drain system is shown in the above diagram



1-5/16" discharge hose after pump with 1-1/2" bushing  
 Drain pump - 120V AC, 85W, 60Hz, 1 Amp



Drain Pipe - 1-1/2" PVC extendable ~5" above floor