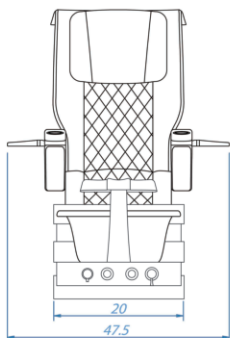


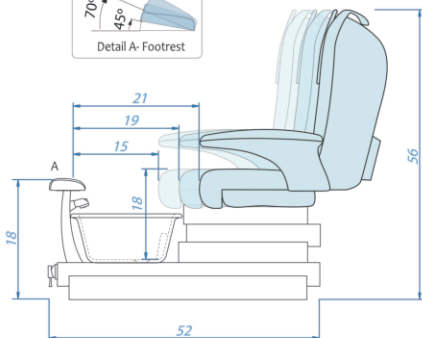
**ANS**  
**GSPA W SG**  
PEDISPA



Weight: 212 lbs  
Capacity of basin: 4.5 U.S. gallon (17.03L)  
Weight Capacity: 300lbs

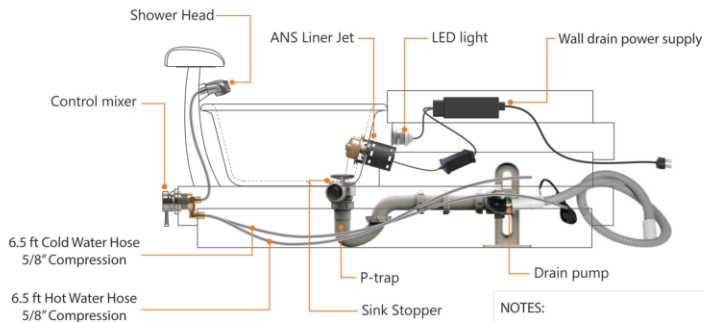


**Front view**



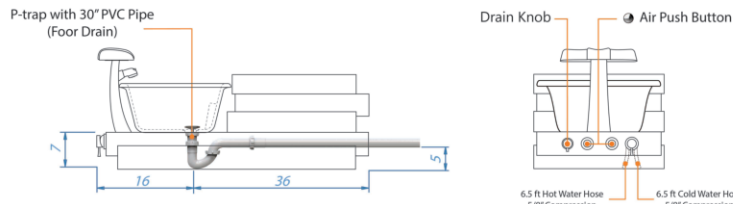
**Side view**

## PARTS IDENTIFICATION



**NOTES:**  
POWER SOURCE: 110V AC/15 AMP 60 HZ (GFI PROTECTED)  
CONFORMS TO  
UL STD 1795 AND UL STD 73  
CERTIFIED TO CSA C 22.2 NO. 218.1  
AND CAN/CSA C 22.2 NO. 68

4427221



Wall Drain: Flex drain pipe extended 2ft from the back of the basin  
Floor Drain: Drain pipe & bushing extended 3" from the back of the basin



### Wall Drain (Pump)



1-5/16" discharge hose after pump with 1-1/2" bushing  
Drain pump - 120V AC, 85W, 60Hz, 1 Amp

### Floor Drain



Drain Pipe - 1-1/2" PVC extendable ~5" above floor