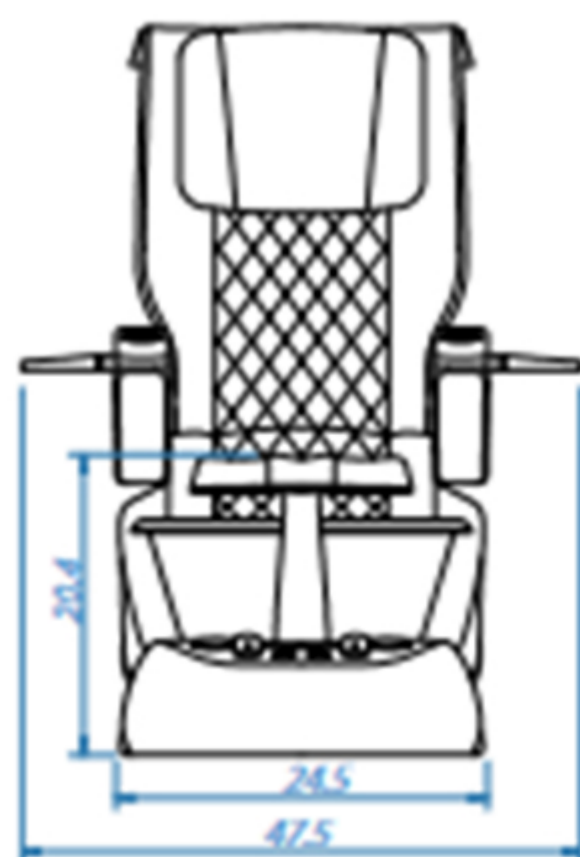


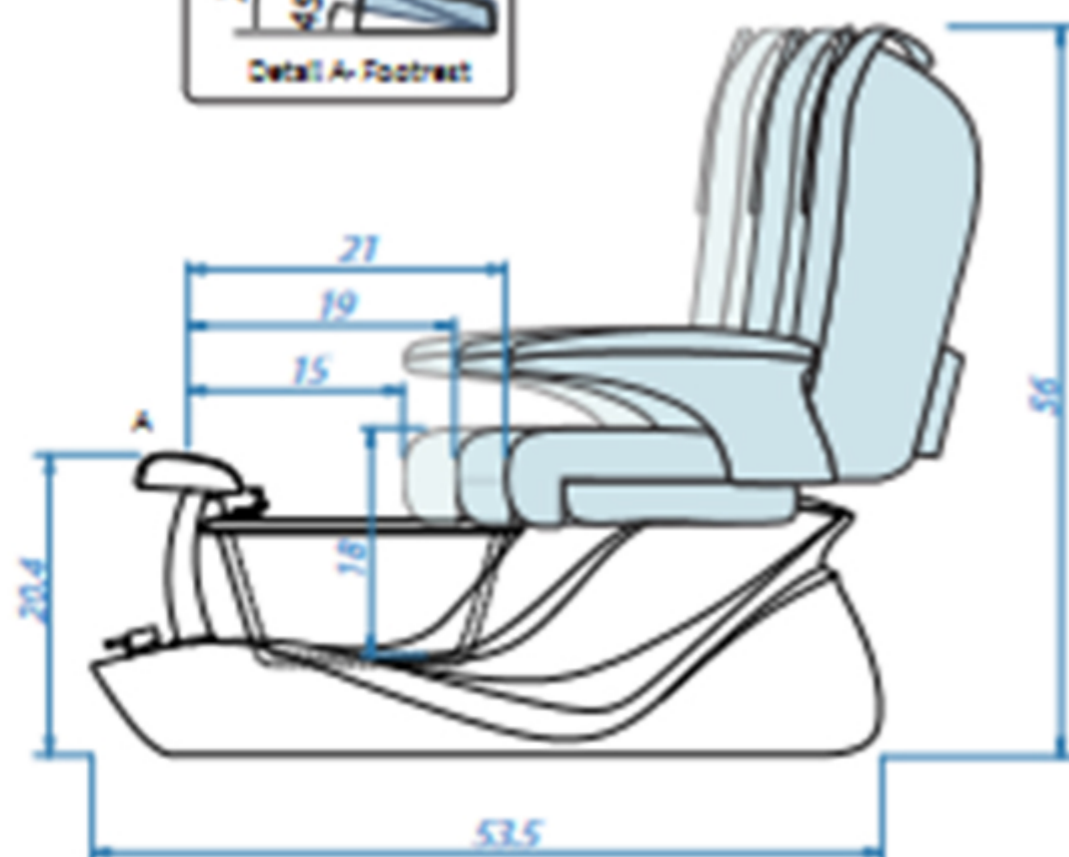
ANS
CYGNINI
PEDISPA



Weight: 125 lbs (56.7 kgs)
Capacity of basin: 4.5 U.S. gallon (17.03L)
Weight Capacity: 300lbs

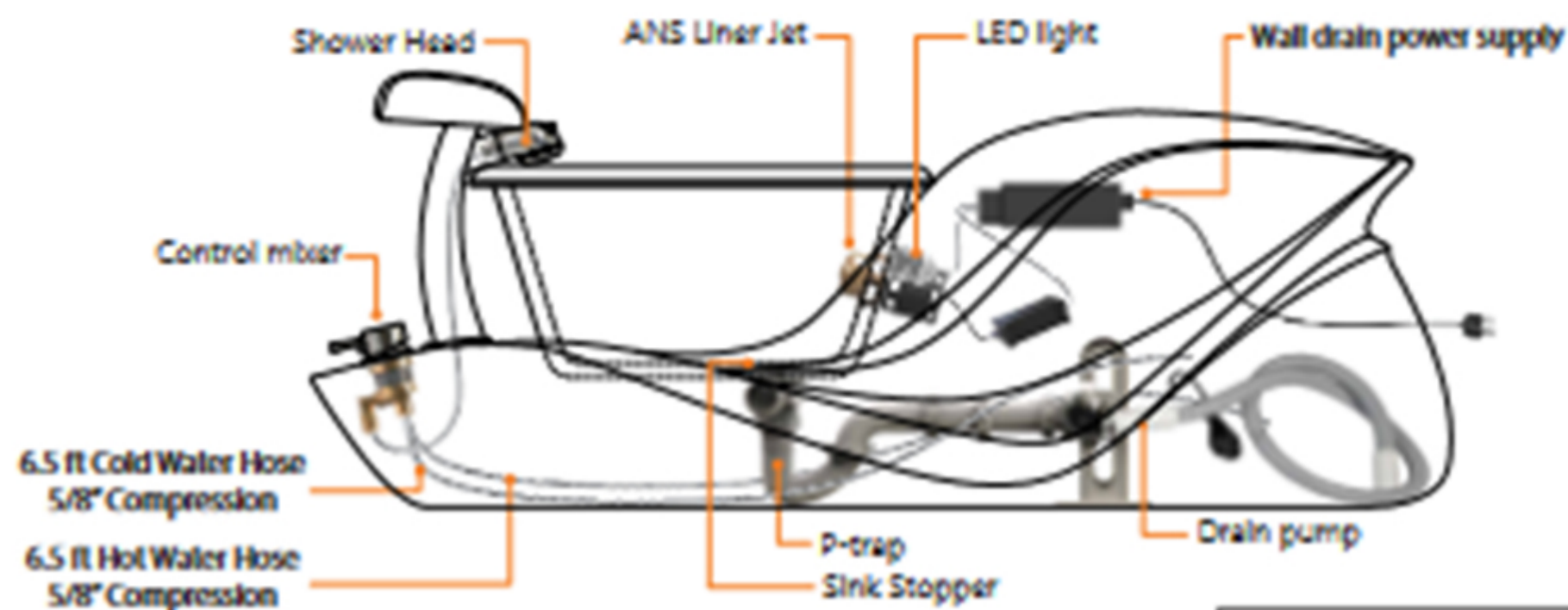


Front view

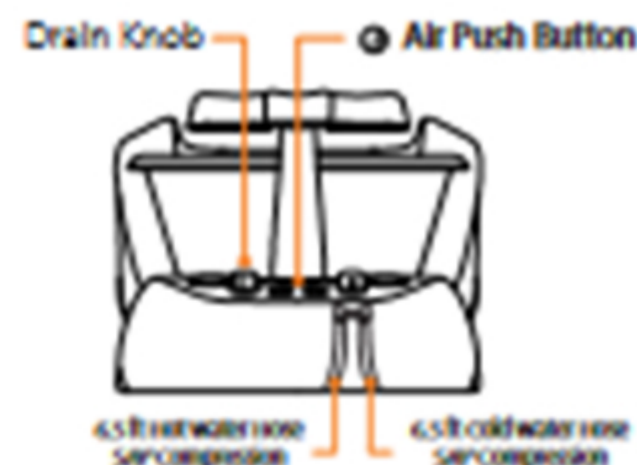
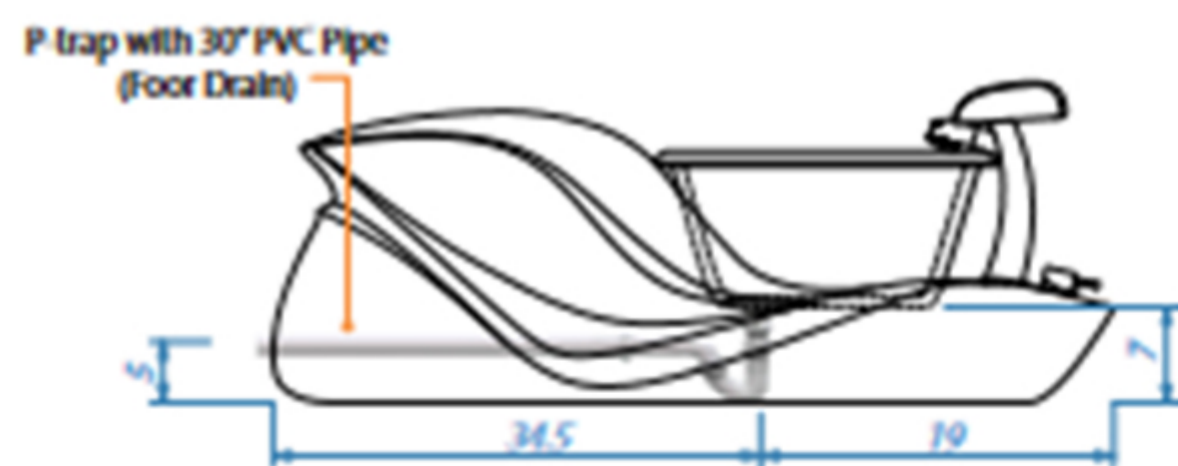
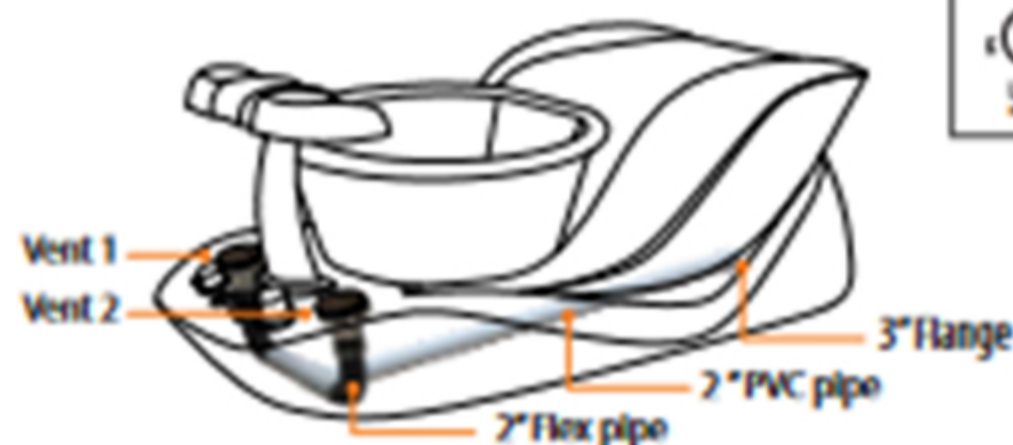


Side view

PARTS IDENTIFICATION



NOTES:
POWER SOURCE: 120V AC/15 AMP/60 HZ/1 PH/3 WIRE GROUND
CONFORMS TO:
UL LISTED EMD 1414 AND/OR UL LISTED
UL LISTED EMD 1414 AND/OR UL LISTED
UL LISTED EMD 1414 AND/OR UL LISTED
UL LISTED EMD 1414 AND/OR UL LISTED



Wall Drain: Flex drain pipe extended 2ft from the back of the basin
Floor Drain: Drain pipe & bushing extended 3\"/>

Wall Drain (Pump)



1-5/16\"/>

Floor Drain



Drain Pipe - 1-1/2\"/>