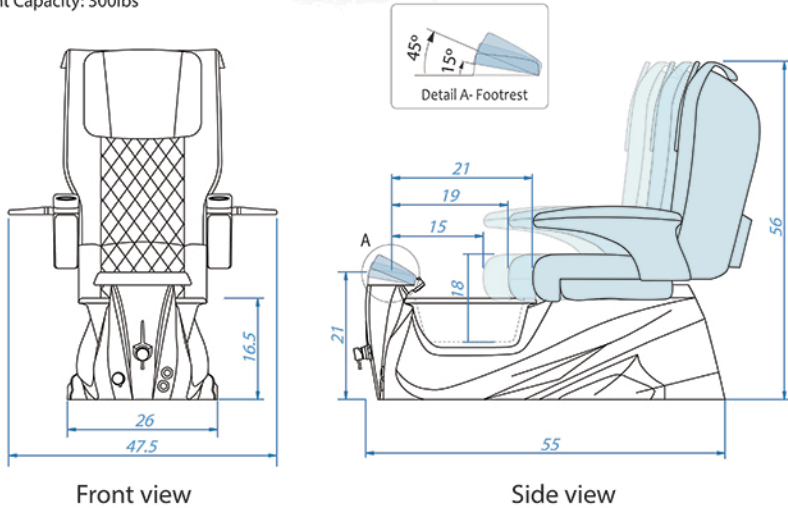
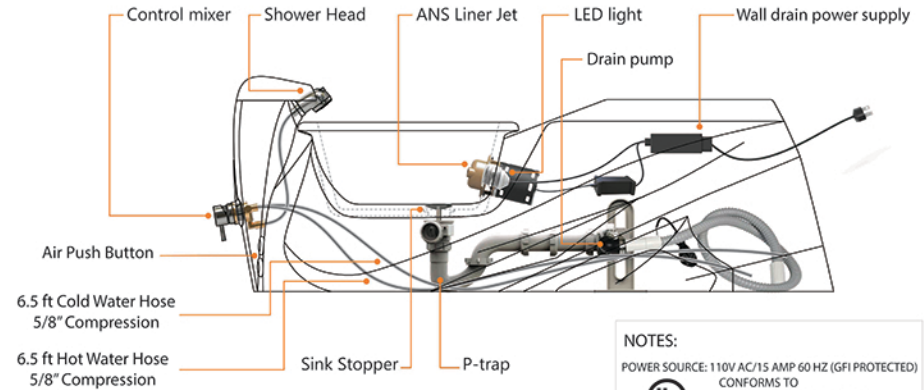




Basin Net Weight: 102 lbs (46.3 kgs)
 Sink Bowl Capacity : 4.5 U.S. gallon (17.03L)
 Weight Capacity: 300lbs



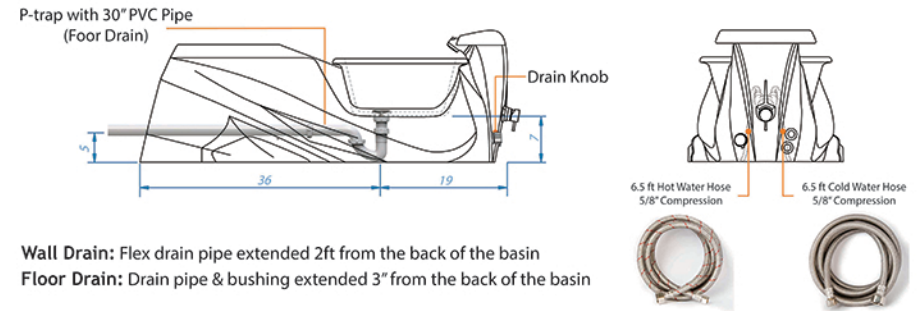
PARTS IDENTIFICATION



NOTES:
 POWER SOURCE: 110V AC/15 AMP 60 HZ (GFI PROTECTED)
 CONFORMS TO
 UL STD 1795 AND UL STD 73
 CERTIFIED TO CSA C 22.2 NO. 218.1
 AND CAN/CSA C 22.2 NO. 68

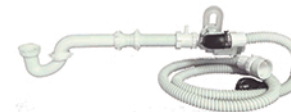
LISTED 64277221

Note: The wall drain system is shown in the above diagram



Wall Drain: Flex drain pipe extended 2ft from the back of the basin
Floor Drain: Drain pipe & bushing extended 3" from the back of the basin

Wall Drain (Pump)



1-5/16" discharge hose after pump with 1-1/2" bushing
 Drain pump - 120V AC, 85W, 60Hz, 1 Amp

Floor Drain



Drain Pipe - 1-1/2" PVC extendable ~5" above floor